



02

EN Trocars, Vaccination

DE Impfen, Punktion

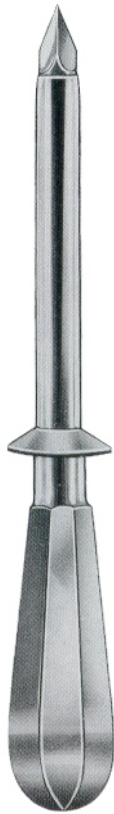
ES Vacunación, Punción

Page 14 to 20



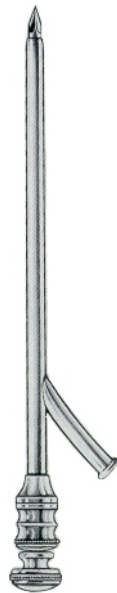
TROCARS, VACCINATION

Trocars
Trokare
Trocares



Nelson

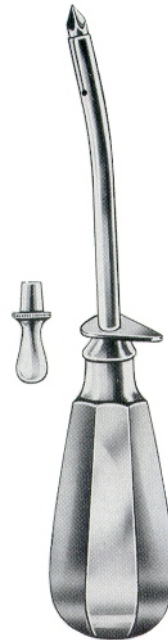
Ø mm	21cm/8¼"
7.5	02-1101-07
9.0	02-1101-09
10.5	02-1101-10
12.0	02-1101-12



Ochsner

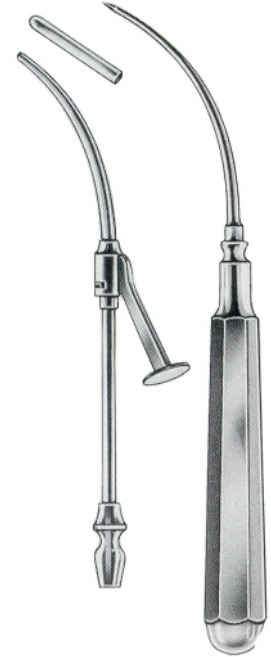
Ø mm	14.5cm/5½"
4.0	02-1102-40
4.6	02-1102-46
5.5	02-1102-55
6.5	02-1102-65

Ø5.5 mm



Krause
 02-1103-15
 15cm/6"

Ø2.25 mm



Coakley
 02-1104-16
 16cm/6¼"

Ø1.8 mm



Lichtwitz
 02-1105-19
 19cm/7½"

Ø3 mm



Douglas
 02-1106-11
 11.5 cm/4½"



02-1107-11
 11.5 cm/4½"



Pierce

Ø mm	
3.0	02-1108-03
4.0	02-1108-04
5.0	02-1108-05



Ø 2 mm



Landau
02-1109-16
16cm/6¼"

Ø 2 mm



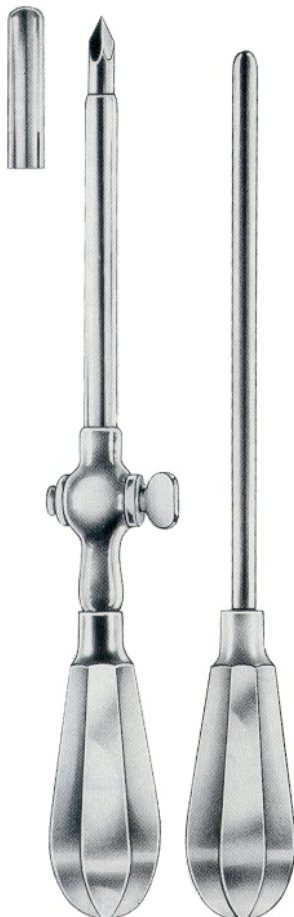
Landau
02-1110-19
19cm/7½"

Ø 13.5mm



Peau
02-1111-16
16cm/6¼"

Ø 8 mm



Buelau
02-1112-24
24cm/9½"



Brain Suction Tubes



- ∅ 2.0 mm 02-1113-20
 - 2.5 mm 02-1113-25
 - 3.0 mm 02-1113-30
- 13cm/5"

Frazier

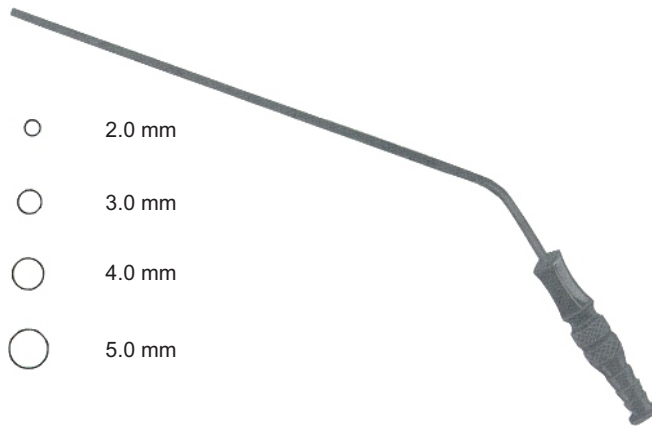


- ∅ 1.5 mm 02-1114-15
 - 2.0 mm 02-1114-20
 - 2.5 mm 02-1114-25
 - 3.0 mm 02-1114-30
- 19.5cm/7¾"

Plester



- Adson**
- 02-1115-02
- 21cm/8¼"
- ∅4 mm



- 2.0 mm
- 3.0 mm
- 4.0 mm
- 5.0 mm

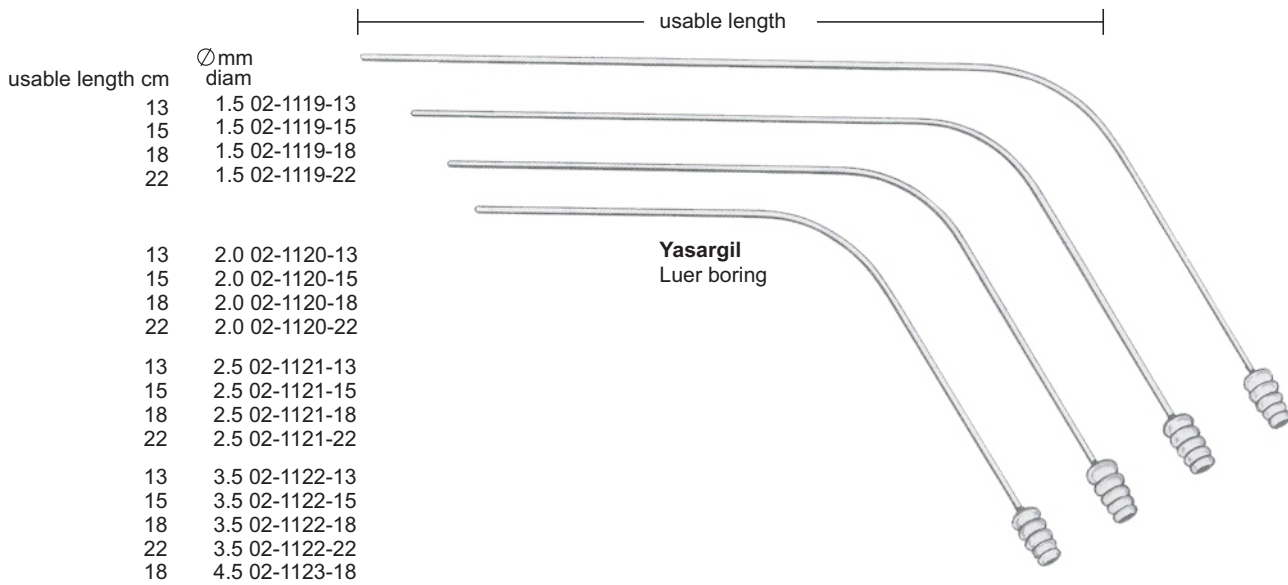
- ∅ malleable, black
 - 2 mm 02-1116-02
 - 3 mm 02-1116-03
 - 4 mm 02-1116-04
 - 5 mm 02-1116-05
- 19.5cm/7¾"



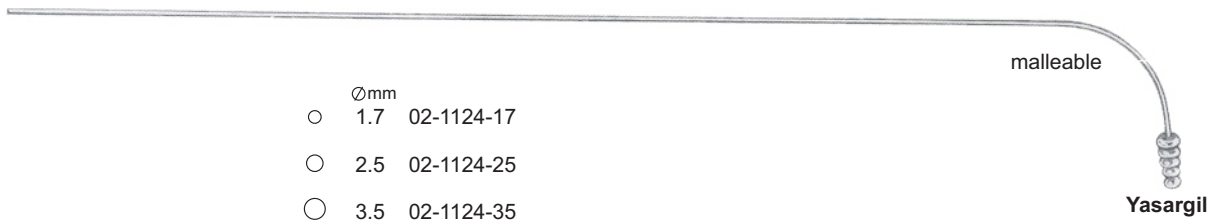
Ømm	Frazier Charr./Fr.
2	6 02-1117-06
2 1/3	7 02-1117-07
2 2/3	8 02-1117-08
3	9 02-1117-09
3 1/3	10 02-1117-10
3 2/3	11 02-1117-11
4	12 02-1117-12
5	15 02-1117-15



Ømm	Ferguson Charr./Fr.
2	6 02-1118-06
2 1/3	7 02-1118-07
2 2/3	8 02-1118-08
3	9 02-1118-09
3 1/3	10 02-1118-10
3 2/3	11 02-1118-11
4	12 02-1118-12



usable length cm	Ømm diam	Yasargil Luer boring
13	1.5	02-1119-13
15	1.5	02-1119-15
18	1.5	02-1119-18
22	1.5	02-1119-22
13	2.0	02-1120-13
15	2.0	02-1120-15
18	2.0	02-1120-18
22	2.0	02-1120-22
13	2.5	02-1121-13
15	2.5	02-1121-15
18	2.5	02-1121-18
22	2.5	02-1121-22
13	3.5	02-1122-13
15	3.5	02-1122-15
18	3.5	02-1122-18
22	3.5	02-1122-22
18	4.5	02-1123-18



Ømm	Yasargil
1.7	02-1124-17
2.5	02-1124-25
3.5	02-1124-35



Yankauer
02-1125-27
27cm/10½"



Yankauer
02-1126-27
27cm/10½"



Yankauer
02-1127-01



Fig. 0
02-1127-10



Fig. 1
02-1127-11



Fig. 2
02-1127-12



Fig. 3
02-1127-13

02-1127-50 SET



Ø 6 mm
round

Nuboer
02-1128-01
21cm/8¼"



6 mm
ovale

Nuboer
02-1129-02
21cm/8¼"

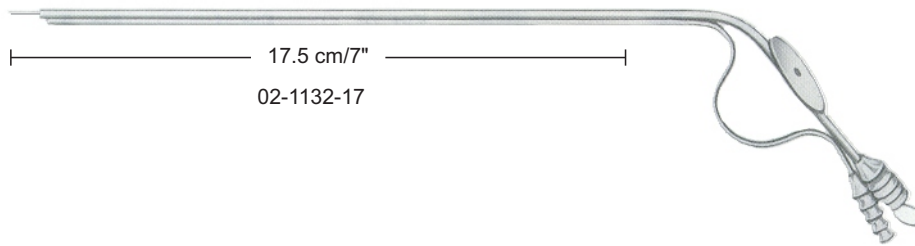


Ø 6 mm

Andrew-Pynchon
02-1130-23
23 cm/9"



Finsterer
02-1131-30
30cm/12"



17.5 cm/7"
02-1132-17

Ø 6 mm



Baby-Poole
02-1133-20
20cm/8"

Ø10 mm



Poole
02-1134-22
22cm/8¾"

Ø 8 mm

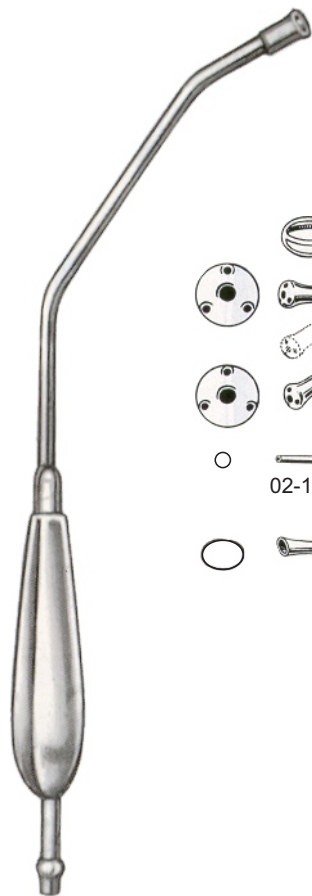


Poole
02-1135-22
22cm/8¾"

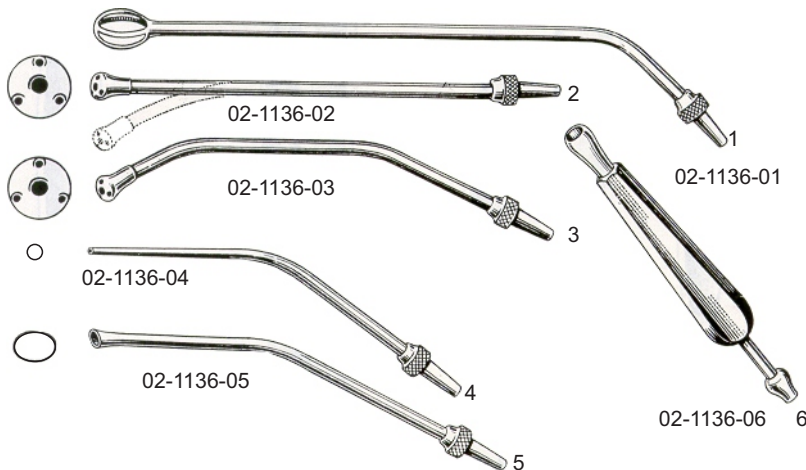


TROCARS, VACCINATION

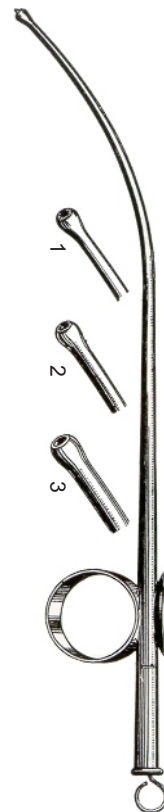
Suction Tubes
Saugrohre
Tubos de aspiracion



Yankauer
02-1136-34
34.5cm/13 1/4"



Yankauer universal
Complete Set
02-1136-60



Magill
02-1137-01=20cm/8"
02-1137-02=20cm/8"
02-1137-03=20cm/8"



Simpson-Smith
02-1139-00