



14

EN Neurosurgery

DE Neurochirurgie

ES Neuro Cirugía

Page 315 to 345



Hook Handle

Gigli
14-4001-00

Wire Saws

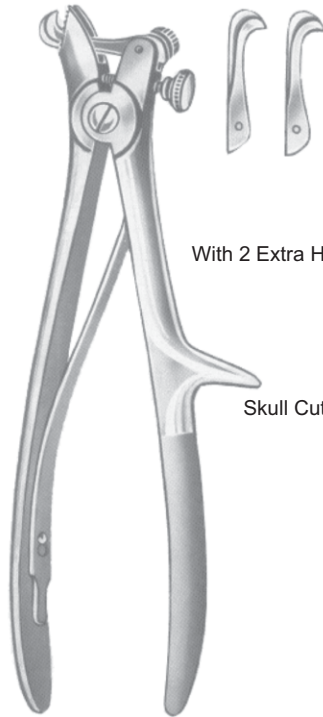


Gigli
14-4002-30 30 cm/12"
14-4002-40 40 cm/16"
14-4002-50 50 cm/20"



Conductors

Martel
14-4003-33
33 cm/13"



With 2 Extra Hooks

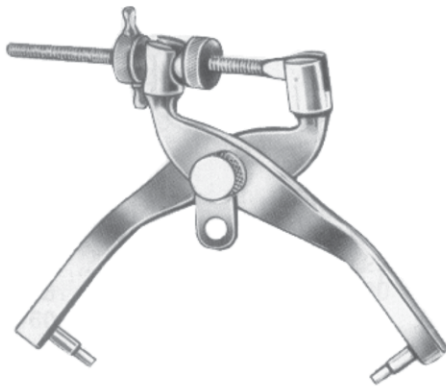
Skull Cutting Forceps

Dahlgren
14-4004-20
20 cm/8"



With 1 Hook Each

De Vibbiss
14-4005-21
21 cm/8¼"



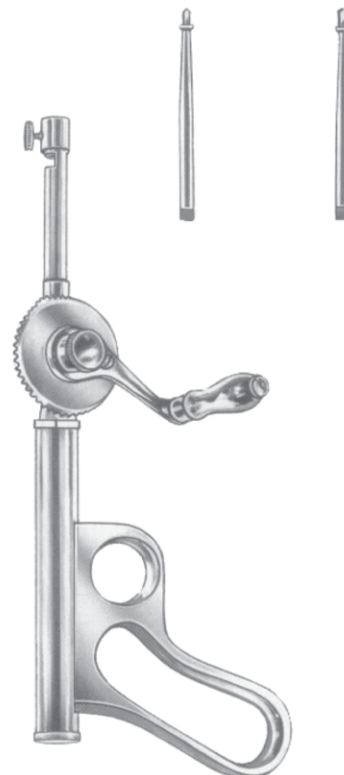
Crutchfield
14-4006-00



Crutchfield
14-4007-00



14-4008-00



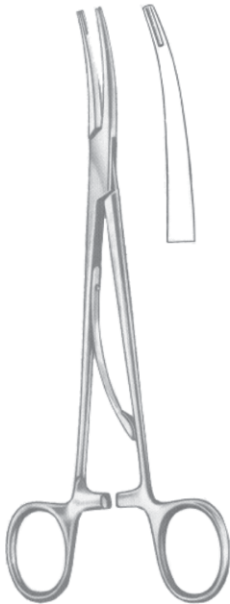
Crutchfield
14-4009-00
Complete With 2 Drills



Applying and Removing Forceps



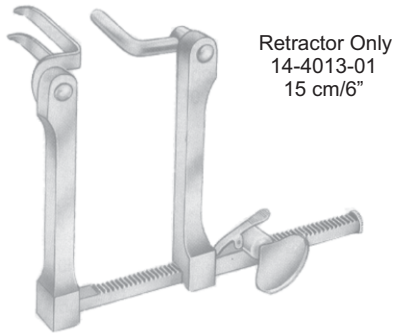
Raney
14-4010-00
16 cm/6¼"



McKenzie
14-4011-15 15 cm/6"
14-4011-19 19 cm/7½"



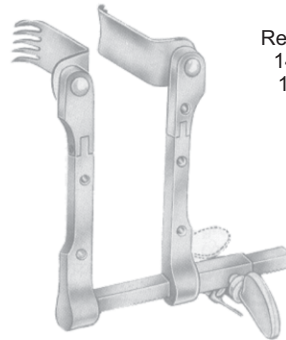
Olivecrona-Tonnis
14-4012-14



Retractor Only
14-4013-01
15 cm/6"

Caspar
14-4013-00

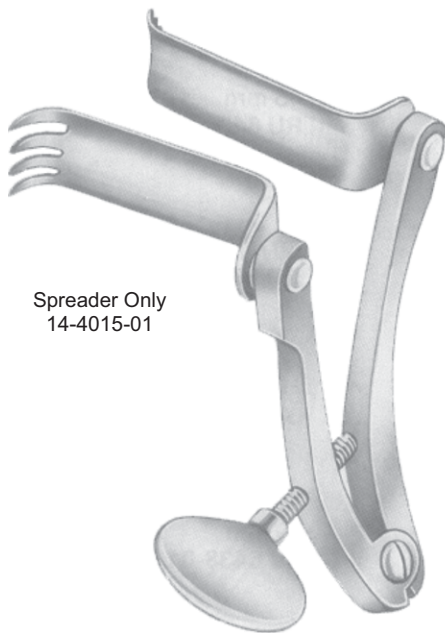
Retractor Complete With
1 Blade Each
14-4013-40
14-4013-50



Retractor Only
14-4014-01
12 cm/4¾"

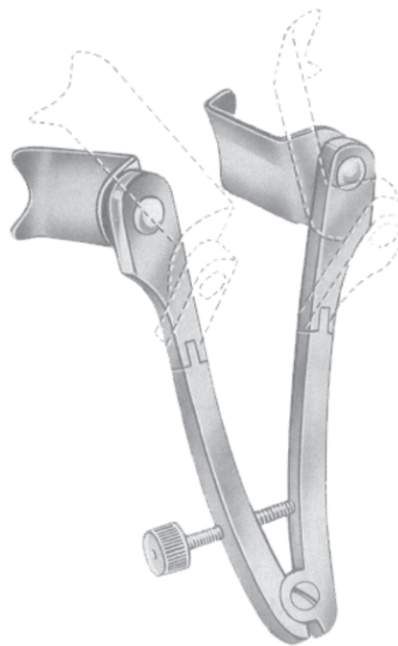
Caspar
14-4014-00

Retractor Complete With
1 Blade Each
14-4014-40
14-4014-50



Spreader Only
14-4015-01

Caspar
14-4015-00
Retractors Only
Spreader Complete With
1 Blade Each
14-4015-45
14-4015-60



Spreader Only
14-4016-01

Caspar
14-4016-00
Spreader Only
Retractor Complete With
1 Blade Each
14-4016-40
14-4016-60



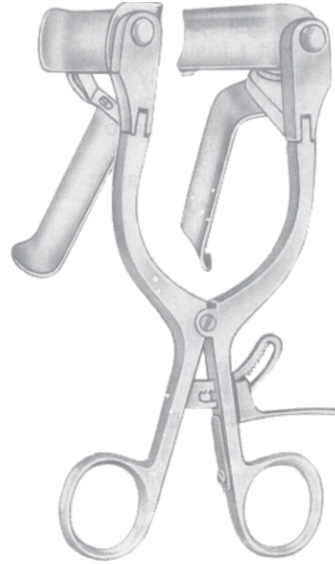
14-4017-01
 15 cm/6"
 Retractor only

Caspar
 14-4017-00
 14-4017-45
 14-4017-65
 Retractor complete with
 1 blade each



14-4018-01
 15 cm/6"
 Retractor only

Caspar
 14-4018-00
 14-4018-45
 14-4018-65
 Retractor adjustable, con
 1 blade each



14-4019-01
 Retractor only
 with 1 fixed blade

Caspar
 14-4019-00
 Retractor complete,
 with 5 blades

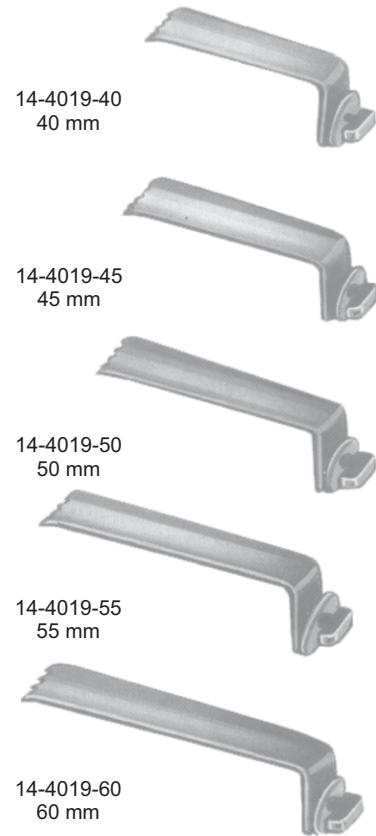
14-4019-40
 40 mm

14-4019-45
 45 mm

14-4019-50
 50 mm

14-4019-55
 55 mm

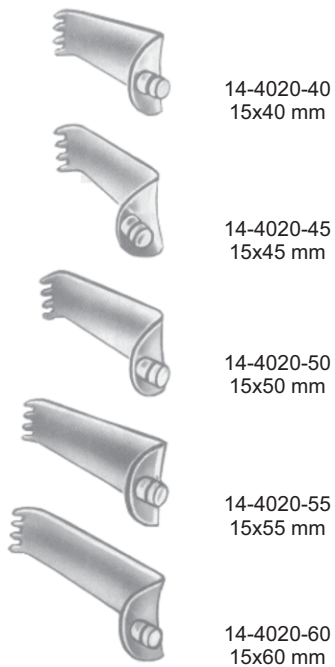
14-4019-60
 60 mm





14-4020-01
Retractor only

Cloward
14-4020-00
25 cm/10"
complete with 5 blades



14-4020-40
15x40 mm

14-4020-45
15x45 mm

14-4020-50
15x50 mm

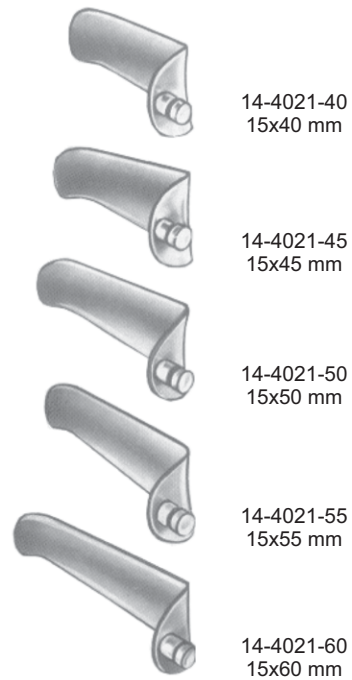
14-4020-55
15x55 mm

14-4020-60
15x60 mm



14-4021-01
Retractor only

Cloward
14-4021-00
15 cm/6"
complete with 5 blades



14-4021-40
15x40 mm

14-4021-45
15x45 mm

14-4021-50
15x50 mm

14-4021-55
15x55 mm

14-4021-60
15x60 mm



Inge
14-4022-16
16 cm/6¼"



Inge
14-4023-25
27 cm/10¾"



Cloward
14-4024-15
15 cm/6"



Cloward
14-4025-16
16 cm/6¼"



Muscle blades



Frame
14-4026-01

Hey
14-4027-00
14-4028-00
23 cm/9"



14-4029-50
20x50 mm



14-4029-60
20x60 mm



14-4029-70
20x70 mm

Vertebra-pins



14-4030-50
50 mm



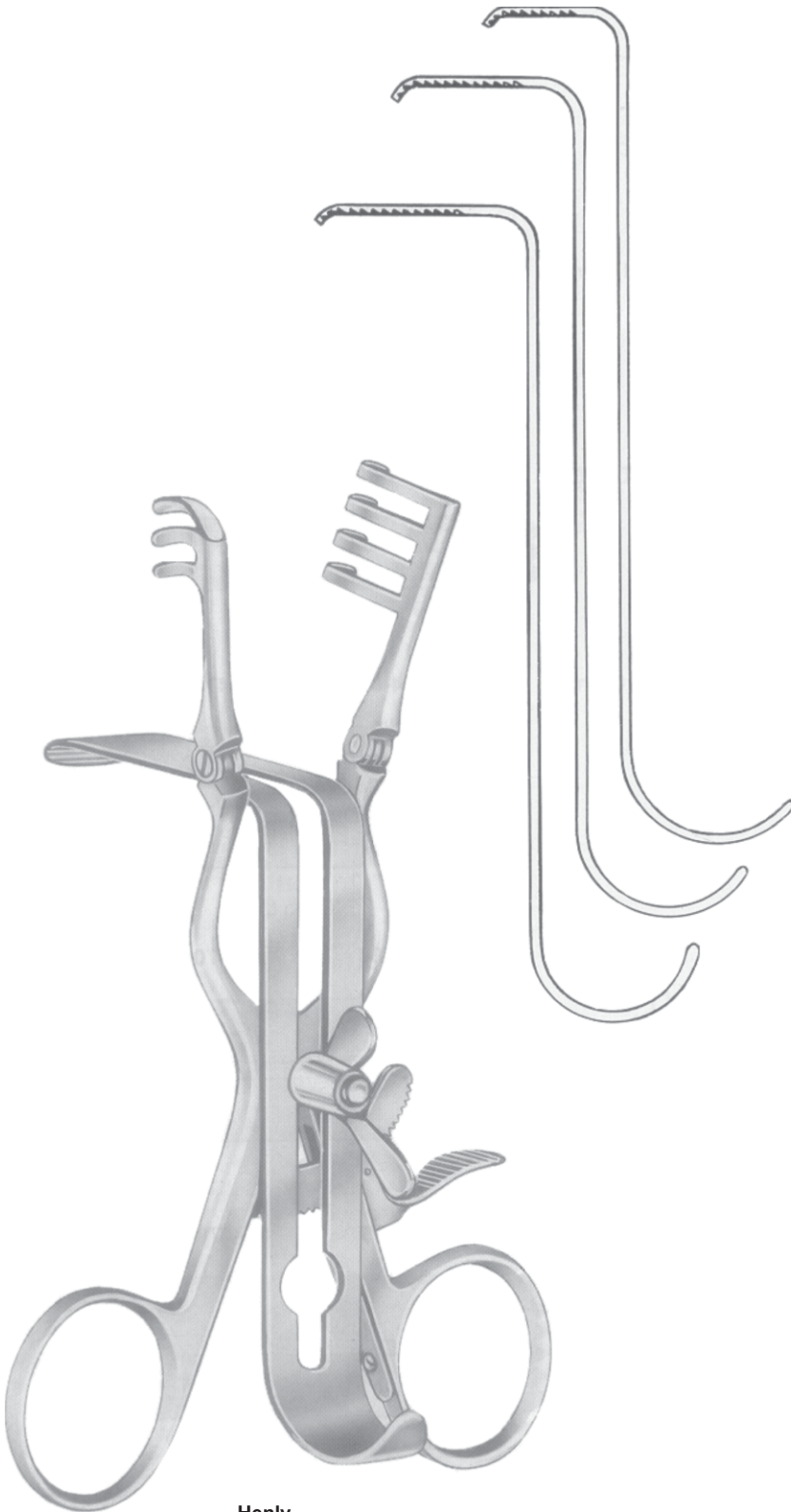
14-4030-60
60 mm



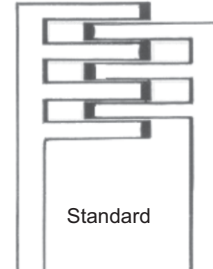
14-4030-70
70 mm



	Left-type	Right-type
50x10 mm	14-4031-01	14-4032-01
60x10 mm	14-4031-02	14-4032-02
70x10 mm	14-4031-03	14-4032-03
50x20 mm	14-4033-01	14-4034-01
60x20 mm	14-4033-02	14-4034-02
70x20 mm	14-4033-03	14-4034-03



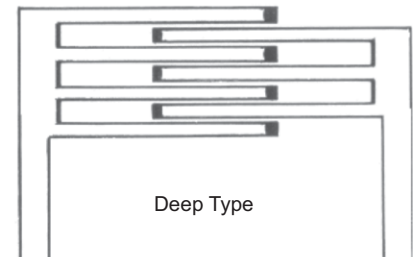
Henly



Standard

14-4035-00 Complete 14-4036-00
14.5 cm/5¾" Consisting of 17 cm/6¾"

14-4035-01	Frame	14-4036-01
14-4035-21	Centre Blades	14-4036-21
14-4035-22		14-4036-22
14-4035-23		14-4036-23



Deep Type

14-4037-00 Complete 14-4038-00
14.5 cm/5¾" Consisting of 17 cm/6¾"

14-4037-01	Centre Blades	14-4038-01
14-4037-21		14-4038-21
14-4037-22		14-4038-22
14-4037-23		14-4038-23



Davis
14-4039-24
24.5 cm/9 3/4"



Toennis
14-4040-25
25 cm/10"



Frazier
14-4041-15



Hoен
14-4042-15

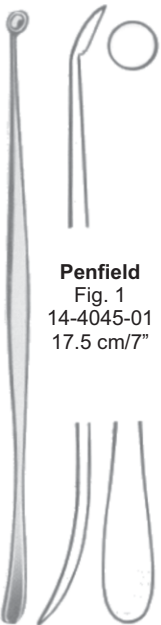


Hoен
14-4043-15

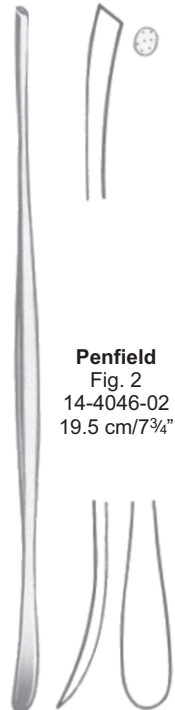
15 cm/6"



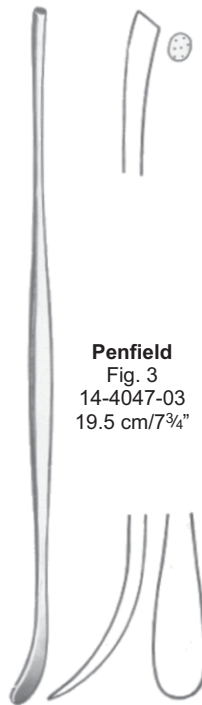
Love-Adson
14-4044-16
16 cm/6 1/2"



Penfield
Fig. 1
14-4045-01
17.5 cm/7"



Penfield
Fig. 2
14-4046-02
19.5 cm/7 3/4"



Penfield
Fig. 3
14-4047-03
19.5 cm/7 3/4"



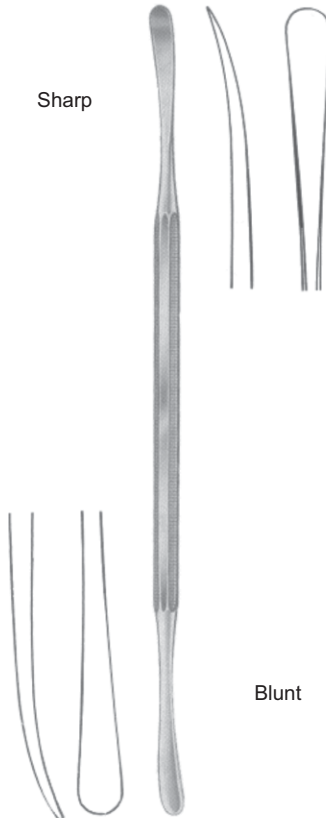
Penfield
Fig. 4
14-4048-04
21.5 cm/8 1/2"



Penfield
Fig. 5
14-4049-05
29 cm/11 1/2"



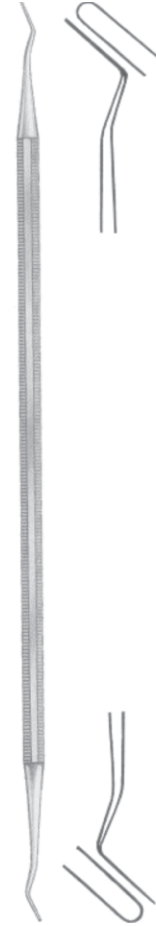
Sachs
 14-4050-21
 21 cm/8¼"



Sharp

Blunt

14-4051-22
 22 cm/8¼"



Woodsen
 14-4052-25
 25 cm/10"



Frager
 14-4053-20
 20 cm/8"



Frager
 14-4054-20
 20 cm/8"



Sachs
 14-4055-21
 21 cm/8¼"



NEUROSURGERY

Dura Dissectors and Elevators
Dura-Dissektoren, Elevatoren
Disecadores para dura-madre, Elevadores



Milligan
14-4056-21
21 cm/8 1/4"



Olivecrona
14-4057-18 18 cm/7"
14-4057-24 24 cm/9 1/2"



Olivecrona
14-4058-19 19.5 cm/7 3/4"
14-4058-24 24 cm/9 1/2"



Horsley
14-4059-20
20 cm/8"

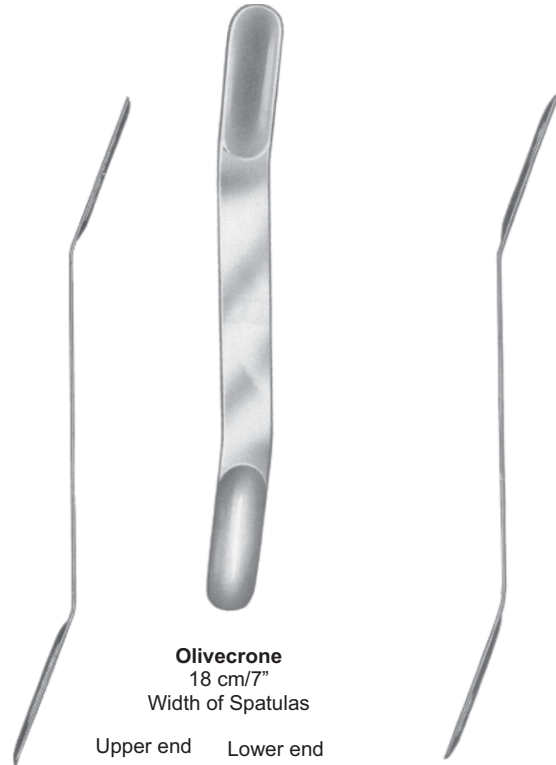


Sachs
14-4060-21
21 cm/8 1/4"



Cushing
 17 cm/6³/₄"
 20 cm/8"
 28 cm/11"

14-4061-17
 14-4061-20
 14-4061-28



Olivecrona
 18 cm/7"
 Width of Spatulas

	Upper end	Lower end	
Concave	mm	mm	Convex
14-4062-01	7	9	14-4063-01
14-4062-02	11	13	14-4063-02
14-4062-03	15	18	14-4063-03
14-4062-04	18	22	14-4063-04



Heifetz
 20 cm/8"

Width of Spatulas

Upper end		Lower end
mm		mm
7	14-4064-08	8
10	14-4064-11	11
13	14-4064-13	14
16	14-4064-17	17
19	14-4064-20	20
22	14-4064-25	22



Heifetz
 15.5 cm/6"

Width of Spatulas

14-4065-08	8
14-4065-11	11
14-4065-13	14
14-4065-17	17

Length of Spatulas



NEUROSURGERY

Brain Spatulas and Nerve Root Retractors
 Hirnspatel, Nervwurzelhaken
 Espátulas cerebrales, Separadores de raíz de nervios



18 cm/7"

Width of spatulas

Upper end		Lower end	
mm		mm	
7		9	14-4066-09
11		13	14-4066-13
15		18	14-4066-18
18		22	14-4066-22



20 cm/8"
 12 mm 14-4067-12
 17 mm 14-4067-17



20 cm/8"
 14 mm 14-4068-14
 17 mm 14-4068-17
 20 mm 14-4068-20



14-4069-01
 19cm/7½"

6 mm

6 mm

Love
 14-4070-02
 19 cm/7½"



6 mm

14-4071-03



Love
 14-4072-21
 21 cm/8¼"



Length of spatulas



70 mm
3 mm 14-4073-03

100 mm
14-4074-03



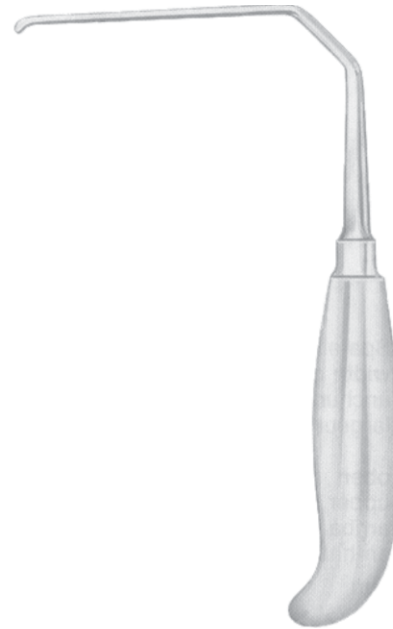
5 mm 14-4073-05

14-4074-05



7 mm 14-4073-07

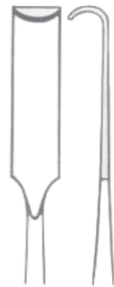
14-4074-07



Love



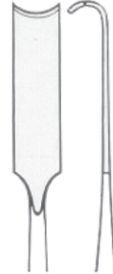
Scoville
23 cm/9"



7 mm 14-4075-07
9 mm 14-4075-09



Holsher
7mm 14-4076-07
9mm 14-4076-09
24 cm/9½"



8 mm 14-4077-08
13 mm 14-4077-13



NEUROSURGERY
Nerve Root Retractors
Nervwurzelnhaken
Separadores de raíz de nervios



Taylor
30x 70 mm 14-4078-07 17 cm/6¾"
30x100 mm 14-4078-10 17 cm/6¾"



Oldberg
21 cm/8¼"



14-4079-01



14-4079-02



14-4079-03



14-4079-04



Cushing
14-4080-19 19 cm/7¾"
14-4080-28 28 cm/11"



Smithwick
14-4081-17 17 cm/6½"
14-4081-21 21 cm/8¼"



Cushnig
14-4082-14
14 cm/5½"



Adson
20 cm/8"



14-4083-01



14-4083-02



NEUROSURGERY

Nerve Hooks
Nervhaken
Ganchos para nervios



Cloward
14-4084-16
16 cm/6 1/2"



Hoen
14-4085-22
22 cm/8 3/4"



Dandy
14-4086-01
20 cm/8"



Dandy
14-4087-02
20 cm/8"



Dandy
14-4088-03
20 cm/8"



Smithwick
14-4089-29
29 cm/11 3/4"



Scoville
14-4090-30
30 cm/12"



Scoville
14-4091-30
30 cm/12"



Graham
14-4092-16
16.5 cm/6½"



Toennis
14-4093-15
15 cm/6"



Frazier
14-4094-13 13 cm/5"
14-4094-18 18 cm/7"



Toennis
14-4095-13 13 cm/5"
14-4095-18 18 cm/7"



Olivecrona
14-4096-23
23 cm/9"

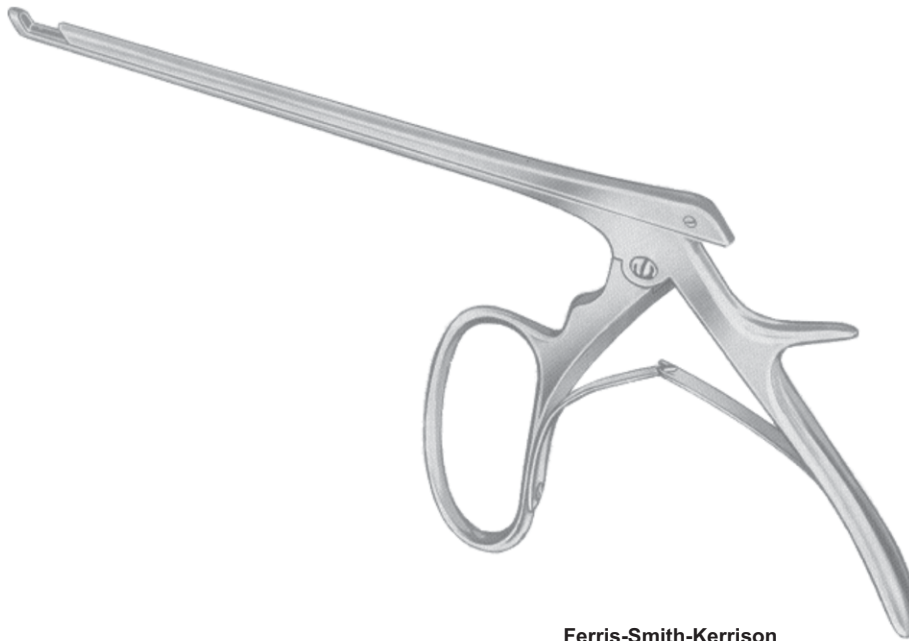


Olivecrona
14-4097-20
20.5 cm/8"



Ferris-Smith-Kerrison

		Width of Bite	Length of Shaft		
			15 cm/6"	20 cm/8"	18 cm/7"
Cutting Upward		0.6 mm			14-4104-00
		1 mm			14-4104-01
		2 mm			14-4104-02
		3 mm	14-4098-03	14-4101-03	14-4104-03
		4 mm			14-4104-04
		5 mm	14-4098-05	14-4101-05	14-4104-05
Cutting Upward 40°		0.6 mm			14-4105-00
		1 mm			14-4105-01
		2 mm			14-4105-02
		3 mm	14-4099-03	14-4102-03	14-4105-03
		4 mm			14-4105-04
		5 mm	14-4099-05	14-4102-05	14-4105-05
Cutting Downwards		0.6 mm			14-4106-00
		1 mm			14-4106-01
		2 mm			14-4106-02
		3 mm	14-4100-03	14-4103-03	14-4106-03
		4 mm			14-4106-04
		5 mm	14-4100-05	14-4103-05	14-4106-05



Ferris-Smith-Kerrison

		Width of Bite		Length of Shaft	
			15 cm/6"	20 cm/8"	18 cm/7"
Cutting Upward		3 mm 5 mm	14-4107-03 14-4107-05	14-4110-03 14-4110-05	14-4113-03 14-4113-05
Cutting Upward 40°		3 mm 5 mm	14-4108-03 14-4108-05	14-4111-03 14-4111-05	
Cutting Downward		3 mm 5 mm	14-4109-03 14-4109-05	14-4112-03 14-4112-05	14-4114-03 14-4114-05



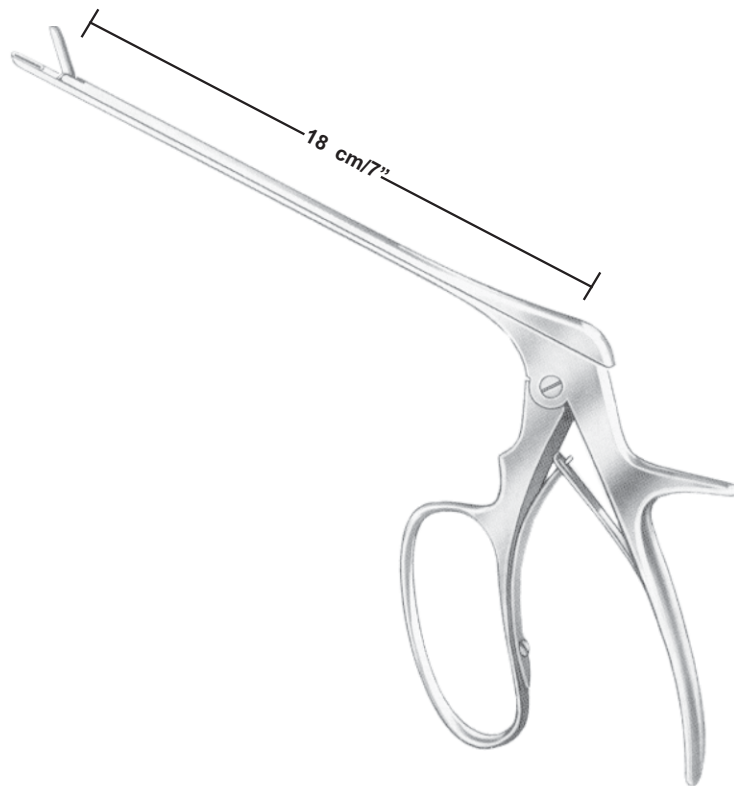
	Length Of Shaft			
Cushing 2 x 10 cm	5"/13 cm	14-4129-01	14-4130-02	14-4131-03
	6"/15 cm	14-4129-01	14-4130-02	14-4131-03
	7"/18 cm	14-4129-01	14-4130-02	14-4131-03
Love-Grunwald 3 x 10 cm	5"/13 cm	14-4129-01	14-4130-02	14-4131-03
	6"/15 cm	14-4129-01	14-4130-02	14-4131-03
	7"/18 cm	14-4129-01	14-4130-02	14-4131-03
Spurling 4 x 10 cm	5"/13 cm	14-4129-01	14-4130-02	14-4131-03
	6"/15 cm	14-4129-01	14-4130-02	14-4131-03
	7"/18 cm	14-4129-01	14-4130-02	14-4131-03



With Suction/Irrigation Device



	Length Of Shaft			
Cushing 2 x 10 cm	5"/13 cm	14-4132-01	14-4133-02	14-4134-03
	6"/15 cm	14-4132-01	14-4133-02	14-4134-03
	7"/18 cm	14-4132-01	14-4133-02	14-4134-03
Love-Grunwald 3 x 10 cm	5"/13 cm	14-4132-01	14-4133-02	14-4134-03
	6"/15 cm	14-4132-01	14-4133-02	14-4134-03
	7"/18 cm	14-4132-01	14-4133-02	14-4134-03
Spurling 4 x 10 cm	5"/13 cm	14-4132-01	14-4133-02	14-4134-03
	6"/15 cm	14-4132-01	14-4133-02	14-4134-03
	7"/18 cm	14-4132-01	14-4133-02	14-4134-03

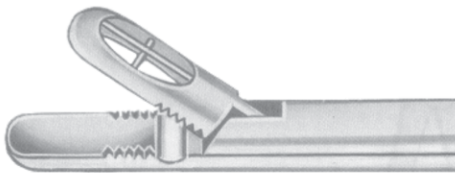


Ferris-Smith

Width Of Jaw



2 x 10 mm	14-4135-01	14-4136-02	14-4137-03
3 x 10 mm	14-4135-01	14-4136-02	14-4137-03
4 x 10 mm	14-4135-01	14-4136-02	14-4137-03



Serrated and Fenestrated Jaws



Width Of Jaw	Length Of Shaft			
mm	14 cm/5 1/2"	14-4138-01	14-4138-02	14-4138-03
	16 cm/6 1/4"	14-4139-01	14-4139-02	14-4139-03
2 x 12	14 cm/5 1/2"	14-4140-01	14-4140-02	14-4140-03
	16 cm/6 1/4"	14-4141-01	14-4141-02	14-4141-03
3 x 12	14 cm/5 1/2"	14-4142-01	14-4142-02	14-4142-03
	16 cm/6 1/4"	14-4143-01	14-4143-02	14-4143-03
4 x 14	14 cm/5 1/2"	14-4144-01	14-4144-02	14-4144-03
	16 cm/6 1/4"	14-4145-01	14-4145-02	14-4145-03
5 x 14	14 cm/5 1/2"	14-4146-01	14-4146-02	14-4146-03
	16 cm/6 1/4"	14-4147-01	14-4147-02	14-4147-03
6 x 16	14 cm/5 1/2"			
	16 cm/6 1/4"			



Ø 3.5 mm



Yasargil
14-4148-35
19.5 cm / 7¾"



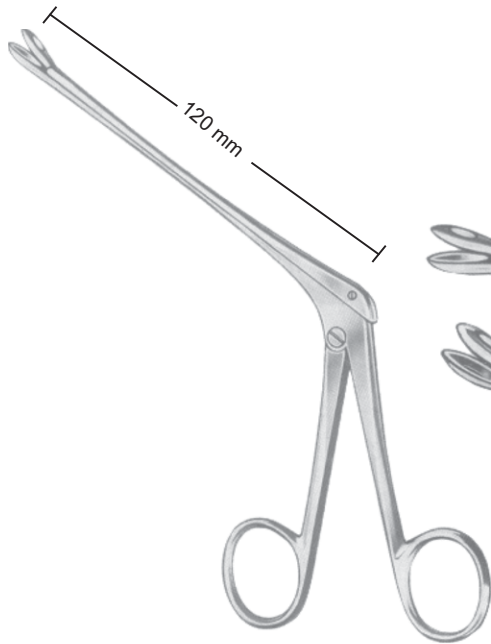
Ø 6.5 mm

Oldberg
14-4149-65
18 cm / 7"



Ø 9 mm

Landolt
14-4150-90
21 cm / 8¼"
Tumor Grasping Forceps Blunt

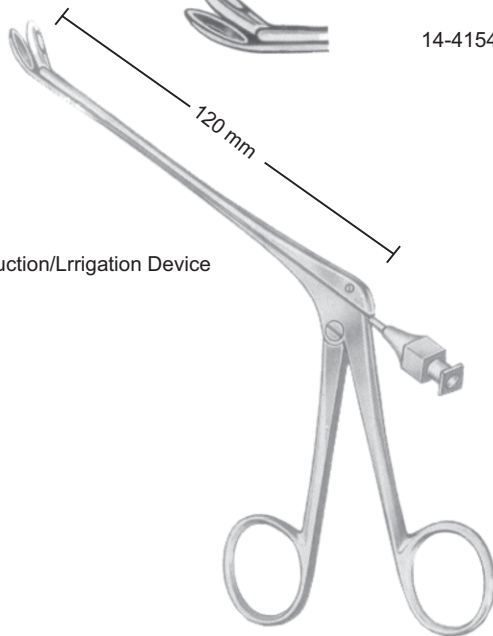


Weil-Blakesley



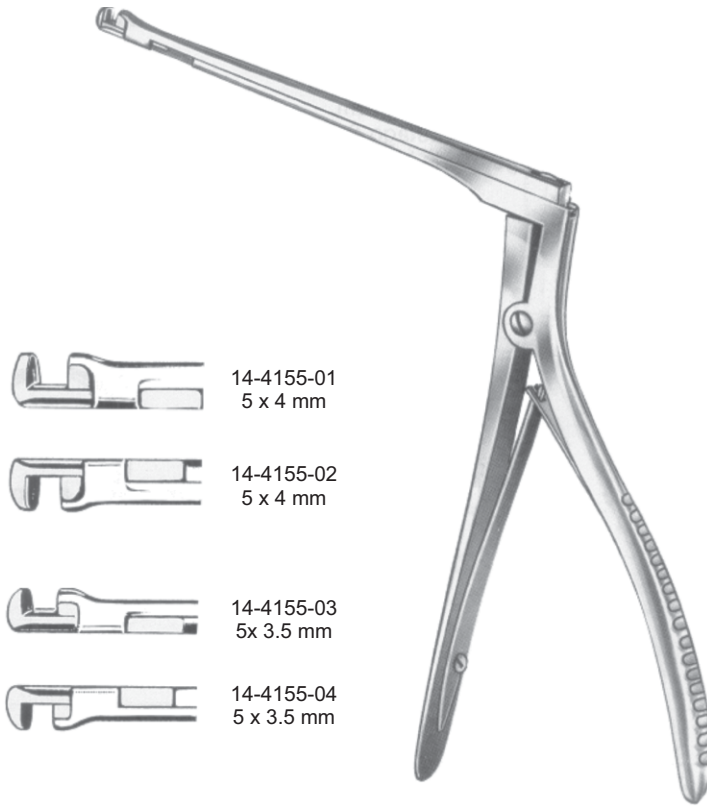
14-4151-01	14-4151-02	14-4151-03	14-4151-04	14-4151-05
14-4152-01	14-4152-02	14-4152-03	14-4152-04	14-4152-05





14-4153-01	14-4153-02	14-4153-03	14-4153-04	14-4153-05
14-4154-01	14-4154-02	14-4154-03	14-4154-04	14-4154-05



With Suction/Irrigation Device

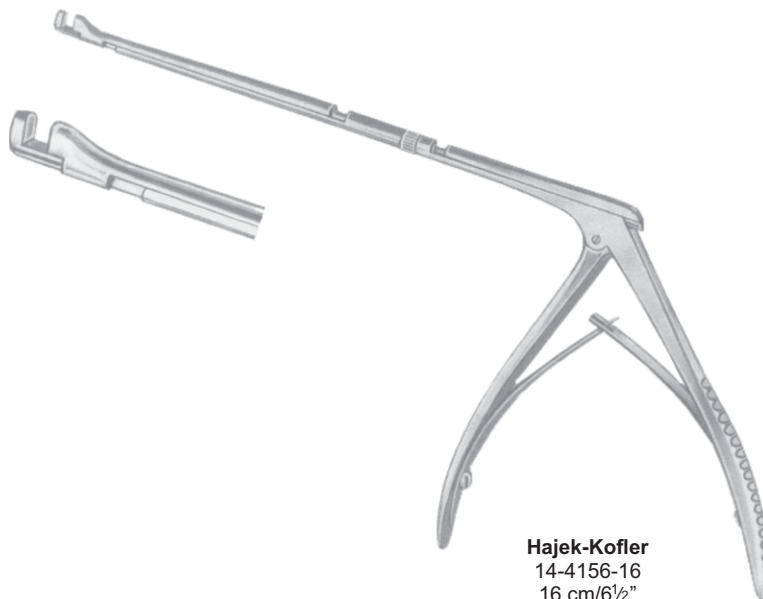
Weil-Blakesley



-  14-4155-01
5 x 4 mm
-  14-4155-02
5 x 4 mm
-  14-4155-03
5x 3.5 mm
-  14-4155-04
5 x 3.5 mm

**Hajek
(Hajek-Kofler)**
14 cm/5½"

360° Turnable



Hajek-Kofler
14-4156-16
16 cm/6½"