



**20**

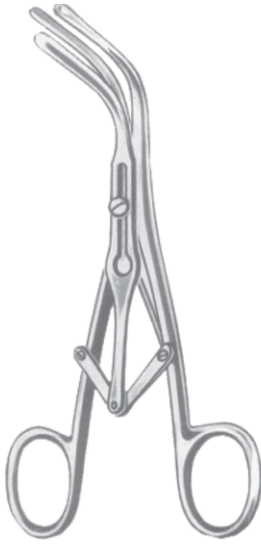
- EN** Tracheotomy
- DE** Tracheotomie
- ES** Traqueotomía

**Page 466 to 470**



**TRACHEOTOMY**

Trachea Dilators and Retractors  
Tracheal-Häkchen, Dilatoren  
Separadores para la tráquea, Diladores



**Laborde**  
20-5951-13 13 cm/5"  
20-5951-15 15 cm/6"



**Trousseau (Adult)**  
20-5952-14  
14 cm/5½"



**Trousseau (Child)**  
20-5953-13  
13 cm/5"

Hooks

Left

Right

Sharp

**Bose**  
16 cm/6¼"



**Bose**  
20-5954-07  
7 cm/2¾"



20-5955-16



20-5956-16

Thyroid Gland Retractor

Trachea Trocars



**Schoenborn**  
20-5957-21  
21 cm/8¼"



**Uckerman**  
20-5958-08 08 mm Ø  
20-5958-10 10 mm Ø  
13 cm/5"



International scale

Fig.	0	1	2	3	4	5	6	7	8	9
Diameter	④	⑤	⑥	⑦	⑧	⑨	⑩	⑪	⑫	⑬mm
Length of outer tube N	45	50	55	60	65	70	75	80	85	90mm



**LUER**

Fig	mmØ	45-90mm	95mm	105mm
0	4	20-5959-04		
1	5	20-5959-05		
2	6	20-5959-06		
3	7	20-5959-07		
4	8	20-5959-08	20-5960-08	20-5961-08
5	9	20-5959-09	20-5960-09	20-5961-09
6	10	20-5959-10	20-5960-10	20-5961-10
7	11	20-5959-11	20-5960-11	20-5961-11
8	12	20-5959-12	20-5960-12	20-5961-12
9	13	20-5959-13	20-5960-13	20-5961-13



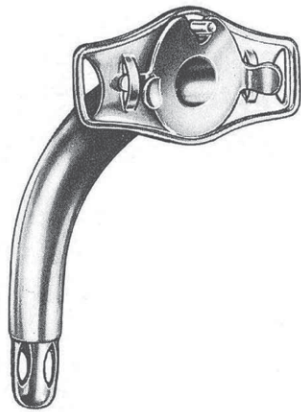
**CHEVALIER-JACKSON**

Fig	mmØ	45-90mm
0	4	20-5962-04
1	5	20-5962-05
2	6	20-5962-06
3	7	20-5962-07
4	8	20-5962-08
5	9	20-5962-09
6	10	20-5962-10
7	11	20-5962-11
8	12	20-5962-12
9	13	20-5962-13



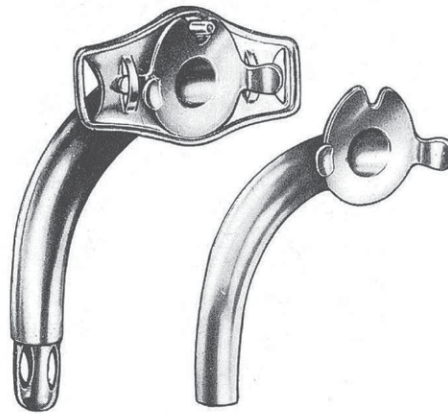
**TRACHEOTOMY**

Trachea Tubes  
Tracheal-Kanülen  
Cánulas traqueales



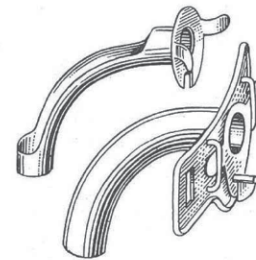
**KRISHABER**

Fig	mm	
0	4	20-5963-04
1	5	20-5963-05
2	6	20-5963-06
3	7	20-5963-07
4	8	20-5963-08
5	9	20-5963-09
6	10	20-5963-10
7	11	20-5963-11
8	12	20-5963-12



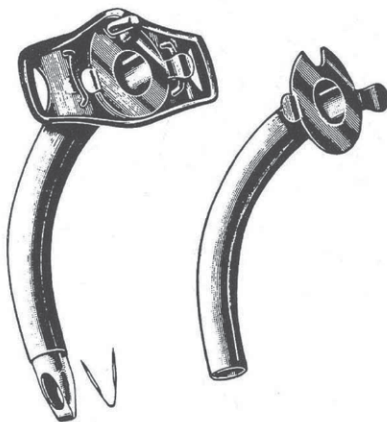
**KRISHABER-LUER**

Fig	mm	
0	4	20-5964-04
1	5	20-5964-05
2	6	20-5964-06
3	7	20-5964-07
4	8	20-5964-08
5	9	20-5964-09
6	10	20-5964-10
7	11	20-5964-11
8	12	20-5964-12



**PARKER**

Fig	F.G	
1	16	20-5965-16
2	18	20-5965-18
3	20	20-5965-20
4	22	20-5965-22
5	24	20-5965-24
6	26	20-5965-26
7	28	20-5965-28
8	30	20-5965-30
9	32	20-5965-32



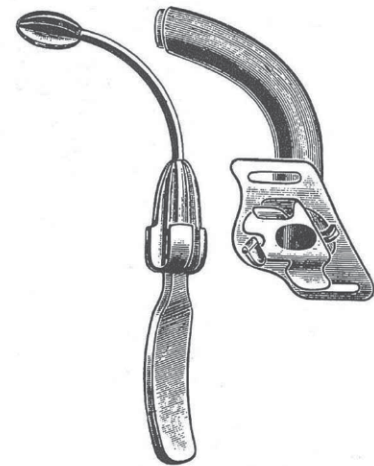
**COLLIN**

Fig	mm	
0	4	20-5966-04
1	5	20-5966-05
2	6	20-5966-06
3	7	20-5966-07
4	8	20-5966-08
5	9	20-5966-09
6	10	20-5966-10
7	11	20-5966-11
8	12	20-5966-12



**FULLER**

Fig	F.G	
1	18	20-5967-18
2	20	20-5967-20
3	22	20-5967-22
4	24	20-5967-24
5	26	20-5967-26
6	28	20-5967-28
7	30	20-5967-30
8	32	20-5967-32



**CUBLEY**

Fig	F.G	
1	16	20-5968-16
2	18	20-5968-18
3	20	20-5968-20
4	22	20-5968-22
5	24	20-5968-24
6	26	20-5968-26
7	28	20-5968-28
8	30	20-5968-30
9	32	20-5968-32

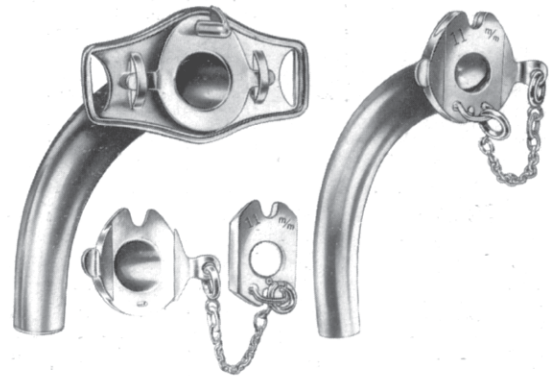
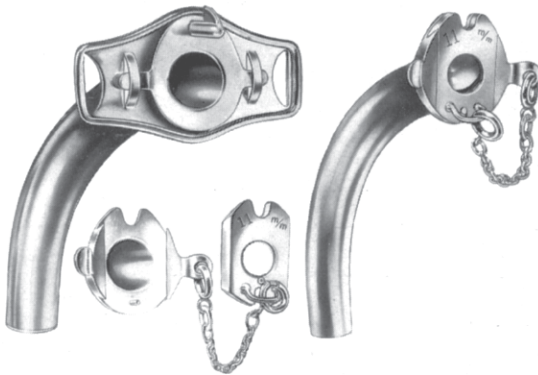
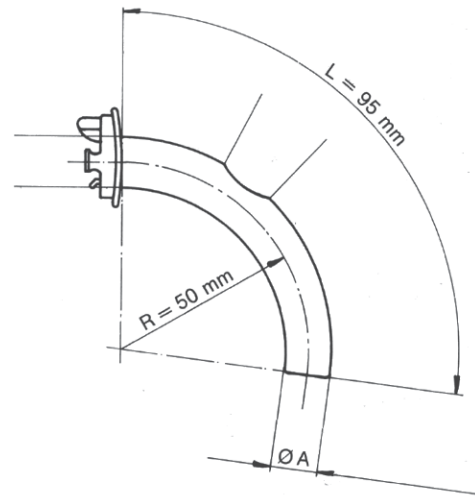
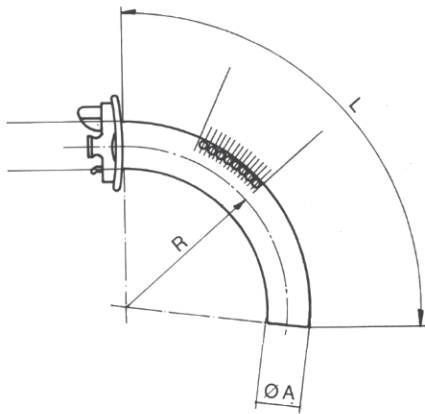
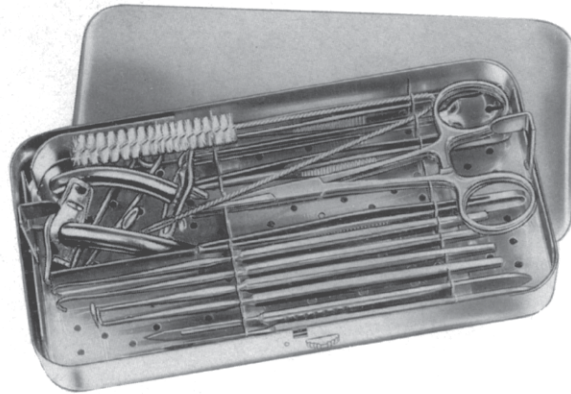


Fig		ØA	L	R
0	20-5969-08	8	65	36.5
1	20-5969-09	9	70	29
2	20-5969-10	10	75	40.5
3	20-5969-11	11	80	41.5
4	20-5969-12	12	85	43
5	20-5969-13	13	90	47.5

Fig		ØA	L	R
0	20-5970-08	8	95	50
1	20-5970-09	9	95	50
2	20-5970-10	10	95	50
3	20-5970-11	11	95	50
4	20-5970-12	12	95	50
5	20-5970-13	13	95	50



**TRACHEOTOMY**  
Tracheotomy Set  
Tracheotomie-Besteck  
Estuche para traqueotomía



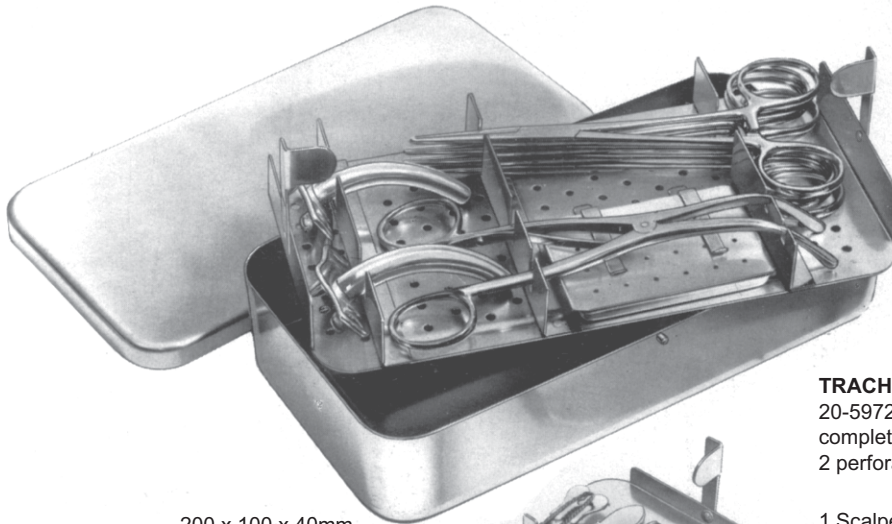
200 x 105 x 30mm

**TRACHEOTOMY SET**

20-5971-00

complete in metal case, consisting of:

- 1 Handle with 1 blade, Fig. 20
- 1 Handle with 1 blade, Fig. 23
- 1 Thumb forceps, 13.0cm
- 1 Tissue forcep, 13.0cm 1 x 2 teeth
- 2 Pean Artery Forceps, 13.0cm
- 1 Grooved Director, 14.0cm
- 1 Trachea Dilator
- 2 Iterson Trachea Retractors, blunt
- 1 Bose Trachea Retractor, sharp left hand side
- 1 ditto, right hand side
- 1 Luer Trachea Tube, Standard
- 1 ditto
- 1 Cleaning Brush



200 x 100 x 40mm

**TRACHEOTOMY SET**

20-5972-00

complete in metal case 200 x 100 x 40 mm, with

2 perforated trays of 18/8 s/s containing the following instruments:

- 1 Scalpel Handle No. 4, with blade No. 20
- 1 Scalpel Handle No. 4, with blade No. 23
- 3 Scalpel Blades, assorted, in perforated small case.
- 1 Small case for above Scalpel Blades
- 1 Dressing Forceps, serrated, 13.0cm
- 2 Tissue Forceps, 1 x 2 teeth, 13.0cm
- 4 Crile Artery Forceps, straight, 14.0cm
- 1 Grooved Director, 14.0cm
- 1 Trousseau Trachea Dilator, 14.0cm
- 2 Iterson Trachea Hooks, blunt
- 1 Bose Hook, sharp, left hand side, 16.0cm
- 1 ditto, right hand side, 16.0cm
- 1 Luer Trachea Tube, size 2.6mm diam. German Silver.
- 1 ditto, size 4.8mm diam, German Silver.
- 1 Cleaning Brush, 12mm diam. 26.0cm

