



25

EN Kidney, Liver, Gall Stone, Urology

DE Niere, Leber, Galle, Urologie

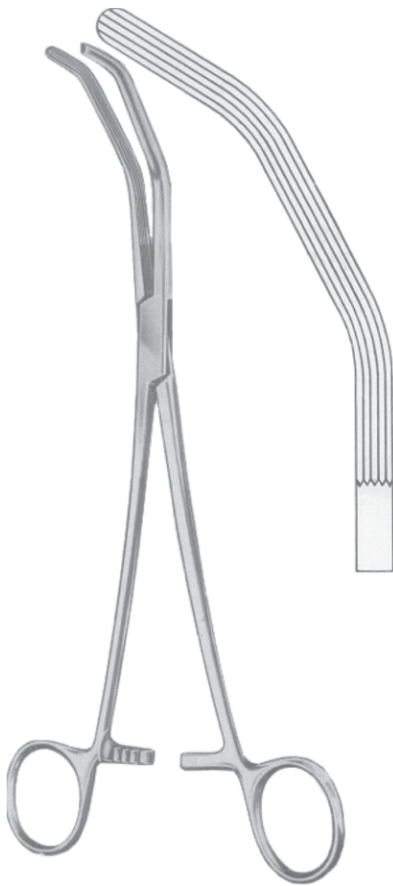
ES Riñón, Hígado, Bilis, Urología

Page 503 to 516

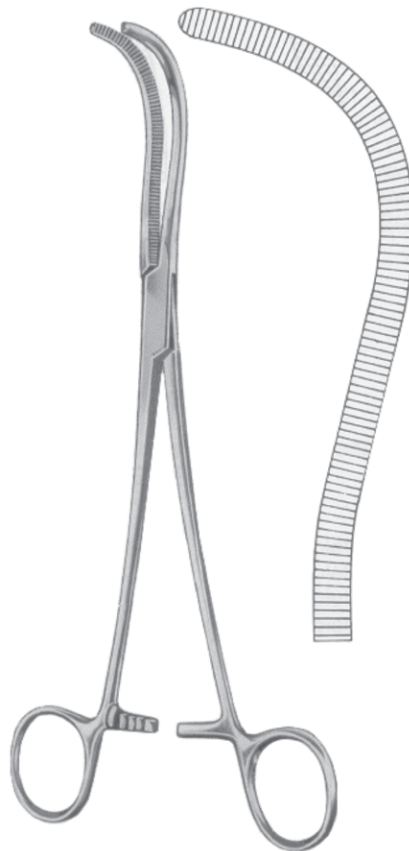


KIDNEY, UROLOGY INSTRUMENTS

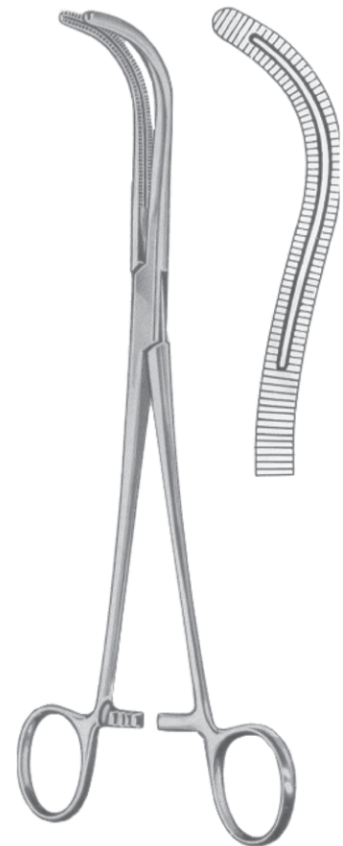
Kidney Pedicle Clamp Forceps
 Kidney Gestielte Klammerzange
 Pinzas de riñón Clamp pedicularesl



Herrick
 25-6704-23
 23 cm/9"



Mayo-Guyon
 25-6705-23
 23 cm/9"



Stille
 25-6706-23
 23 cm/9"



Atrauma



Guyon



25-6701-20
20 cm/8"



25-6701-22
22 cm/8¾"



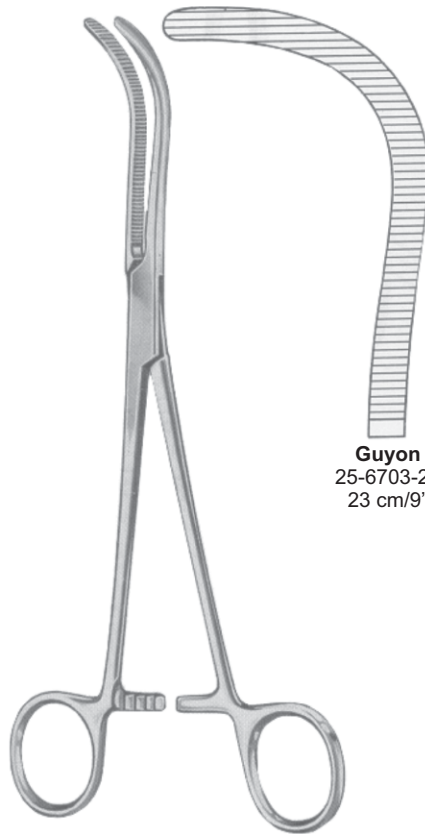
25-6701-24
24 cm/9½"



25-6702-23
23 cm/9"



25-6702-24
24 cm/9½"



Guyon
25-6703-23
23 cm/9"



KIDNEY, UROLOGY INSTRUMENTS

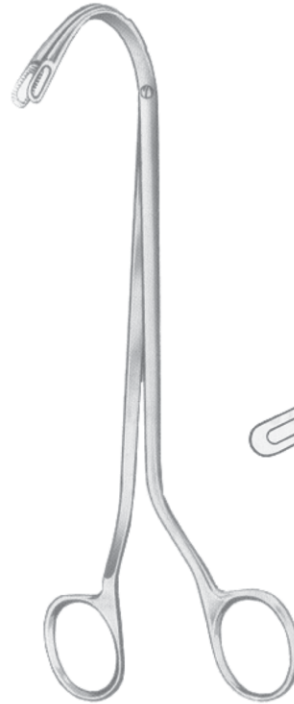
Nephrostomy Forceps and Kidney Stones
Nierenfistelzangen, Gallensteinzangen
Pinza para nefrostomía, pinzas para cálculos biliares



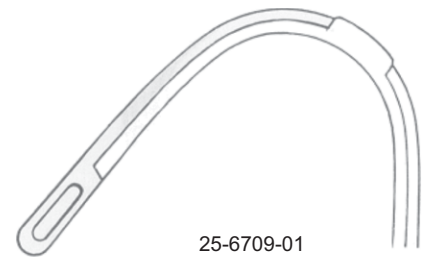
Elsasser
25-6707-20
20 cm/8"



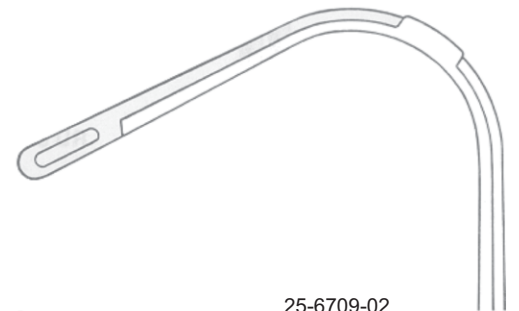
25-6708-20
20 cm/8"



Randall



25-6709-01
19 cm/7½"



25-6709-02
19 cm/7½"



Randall

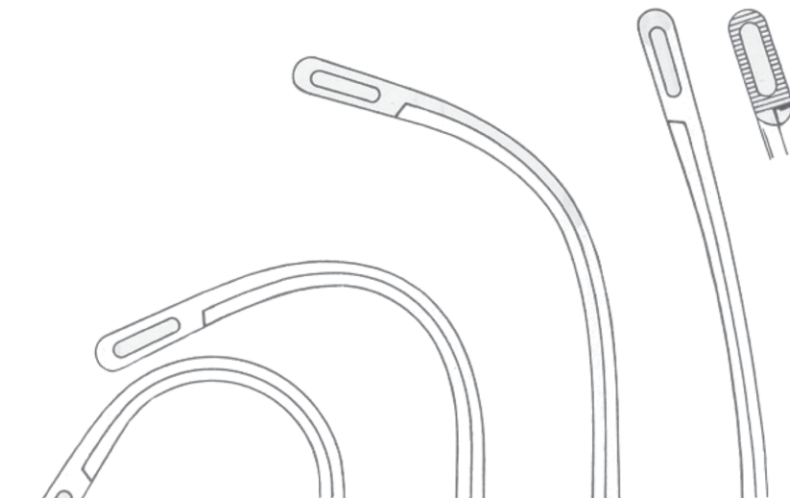


Fig. 4
25-6710-04
22 cm/8¾"

Fig. 3
25-6710-03
22 cm/8¾"

Fig. 2
25-6710-02
22 cm/8¾"

Fig. 1
25-6710-01
23 cm/9"



Gray
25-6711-00

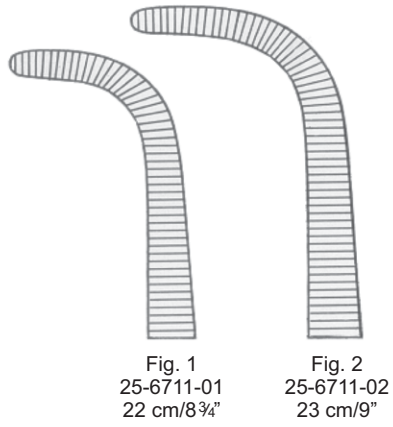


Fig. 1
25-6711-01
22 cm/8¾"

Fig. 2
25-6711-02
23 cm/9"

Set of 2 pieces



Gray
25-6712-00

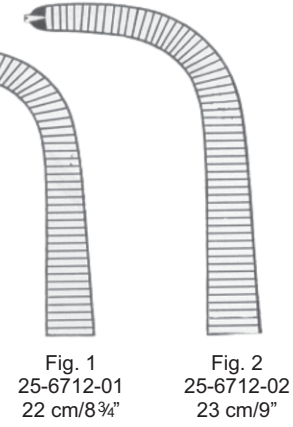


Fig. 1
25-6712-01
22 cm/8¾"

Fig. 2
25-6712-02
23 cm/9"

Set of 2 pieces

Gall duct and
cystic forceps



Desjardins
25-6713-21
21 cm/8¼"



Nissen
25-6714-21
21.5 cm/8½"



Straight **Blake** Curved
25-6715-20 20 cm/8" 25-6716-20



Straight **Mayo-Blake** Curved
25-6717-20 20 cm/8" 25-6718-20



Czerny
25-6719-24
24.5 cm/9¾"



Desjardins
23 cm/9"



Fig. 1
25-6720-01



Fig. 2
25-6721-02



25-6722-01

25-6723-02

25-6724-03

Desjardins
28 cm/11"



Bile duct dilators.

Bakes
30 cm/12"

mm	
1	25-6725-01
2	25-6725-02
3	25-6725-03
4	25-6725-04
5	25-6725-05
6	25-6725-06
7	25-6725-07
8	25-6725-08
9	25-6725-09
10	25-6725-10
11	25-6725-11
12	25-6725-12
13	25-6725-13

25-6725-00
set of 9 pieces

25-6725-03 to 25-6725-11

25-6726-00
set of 9 pieces in canvas pocket



KIDNEY, UROLOGY INSTRUMENTS

Gall Stone Forceps
Gallensteinzngen
Pinzas para cálculo biliares



Elastic



Desjardins
30 cm/12"



Fig.1
25-6727-01



Fig.2
25-6727-02



Fig.3
25-6727-03



Fig.4
25-6727-04

Malleable



Luer-Koerte
32 cm/12½"



25-6728-02
2.5 mm



25-6728-03
3.2 mm



25-6728-04
4.2 mm



25-6728-05
5.5 mm



25-6728-06
6.7 mm



25-6728-08
8.0 mm



25-6728-11
11 mm



25-6728-15
15 mm



Mayo
 25-6729-28
 28 cm/11"

Malleable



Mayo
 26.5 cm/10½"



Fig. 1
 25-6730-01



Fig. 2
 25-6730-02



Fig. 3
 25-6730-03



Moore
 26-08506-28
 28 cm/11"

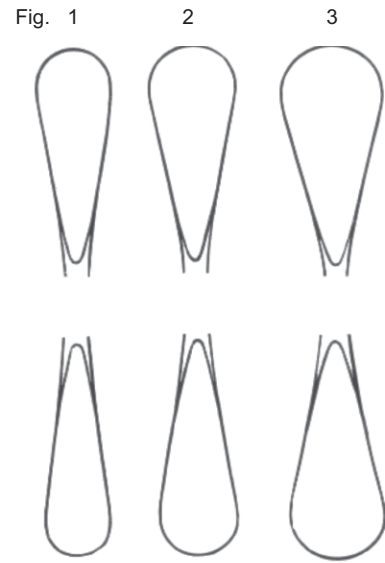
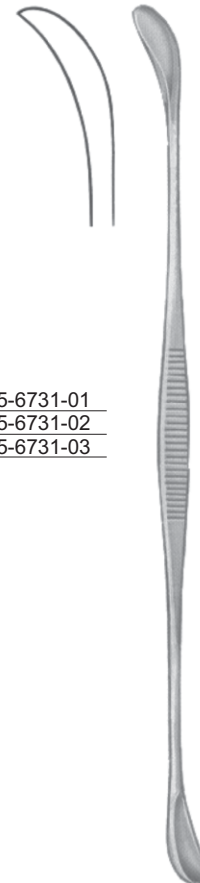


Fig. 1 2 3



Fergusson
 24 cm/9½"

Fig.
 1 25-6731-01
 2 25-6731-02
 3 25-6731-03



KIDNEY, UROLOGY INSTRUMENTS
Prostatic Retractors, Prostatectomy instruments
Postatachaken, Instrumente für prostata-operationen
Separadores para la próstata, instrumentos para prostatectomía



Young
25-6732-21
21 cm/8¼"



Young
25-6733-22
22 cm/8¾"



Young
25-6734-21
21 cm/8¼"



Young
25-6735-22
22 cm/8¾"



Millin
25-6736-23
23 cm/9"



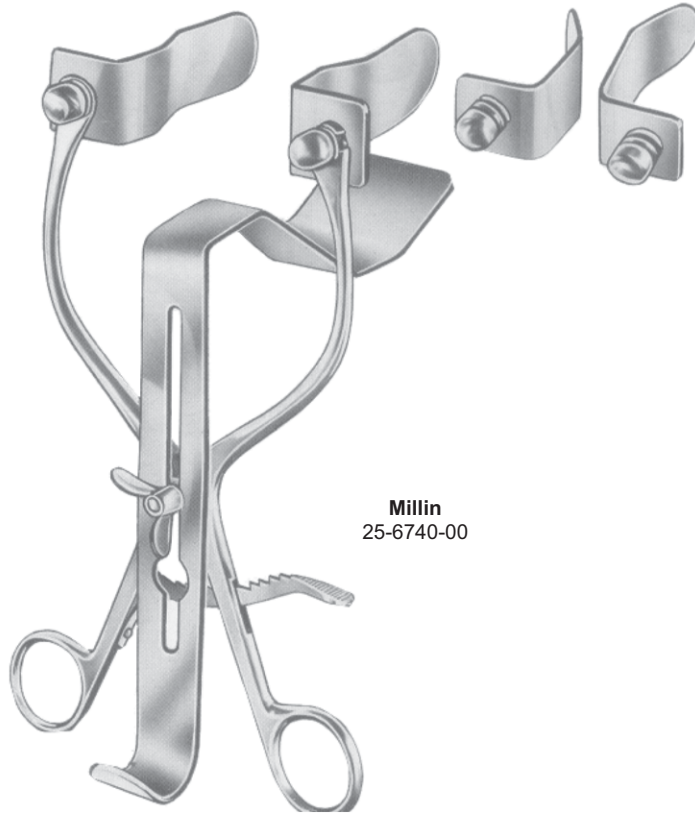
Millin
25-6737-23
23 cm/9"



Millin
25-6738-23
23 cm/9"



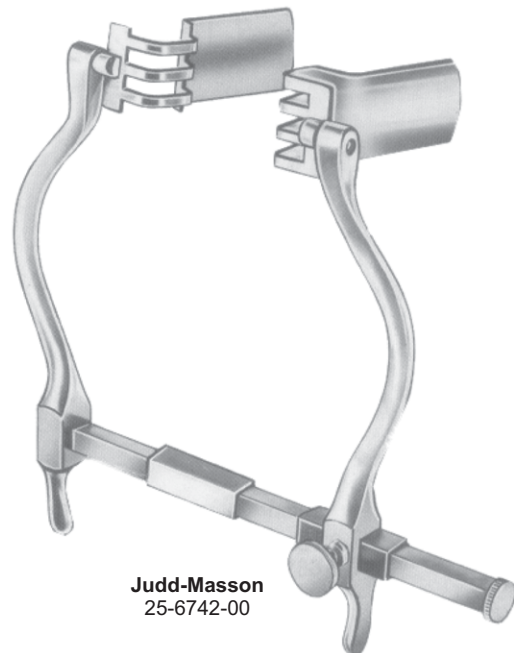
Millin
25-6739-24
24 cm/9½"



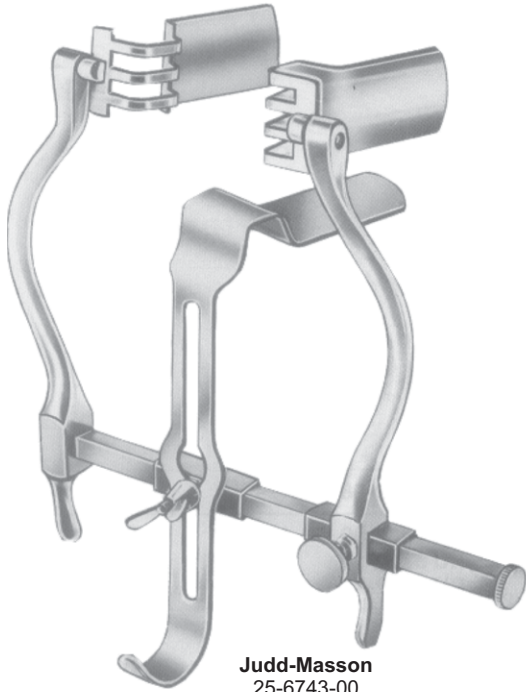
Millin
25-6740-00



Legueu
25-6741-00



Judd-Masson
25-6742-00



Judd-Masson
25-6743-00



Thomson-Walker
25-6744-00



Legue
25-6745-27
27 cm/10½"
35 mm



Kocher
25-6746-26
26 cm/10¼"
67 mm



mm Ø

**Charriere
(French)**

2 ² / ₃	8
3	9
3 ¹ / ₃	10
3 ² / ₃	11
4	12
4 ¹ / ₃	13
4 ² / ₃	14
5	15
5 ¹ / ₃	16
5 ² / ₃	17
6	18
6 ¹ / ₃	19
6 ² / ₃	20
7	21
7 ¹ / ₃	22
7 ² / ₃	23
8	24
8 ¹ / ₃	25
8 ² / ₃	26
9	27
9 ¹ / ₃	28
9 ² / ₃	29
10	30
10 ¹ / ₃	32
11 ² / ₃	34
12	36



Van Buren
Charriere (French)
No. 8-36
25-6747-08
25-6747-36
28 cm/11"

In Canvas Pouch
25-6747-50
Set of 6
6 Pcs. 25-6747-14/24
25-6747-24

25-6747-60
Set of 12
12 Pcs 25-6747-08/36
25-6747-36

25-6747-08
25-6747-10
25-6747-12
25-6747-14
25-6747-16
25-6747-18
25-6747-20
25-6747-22
25-6747-24
25-6747-26
25-6747-28
25-6747-30
25-6747-32
25-6747-34
25-6747-36



Dittel
Charriere (French)
No. 8-30
25-6748-08
25-6748-30
19.5 cm/7 1/2"

Straight

25-6748-08
25-6748-09
25-6748-10
25-6748-11
25-6748-12
25-6748-13
25-6748-14
25-6748-15
25-6748-16
25-6748-17
25-6748-18
25-6748-19
25-6748-20
25-6748-21
25-6748-22
25-6748-23
25-6748-24
25-6748-25
25-6748-26
25-6748-27
25-6748-28
25-6748-26
25-6748-30

Curved

25-6749-08
25-6749-09
25-6749-10
25-6749-11
25-6749-12
25-6749-13
25-6749-14
25-6749-15
25-6749-16
25-6749-17
25-6749-18
25-6749-19
25-6749-20
25-6749-21
25-6749-22
25-6749-23
25-6749-24
25-6749-25
25-6749-26
25-6749-27
25-6749-28
25-6749-26
25-6749-30



Dittel
Charriere (French)
No. 8-30
25-6749-08
25-6749-30
34.5 cm/13 1/2"



KIDNEY, UROLOGY INSTRUMENTS

Metal Catheters and Introducers
 Metall-Kathetr und introducers
 Sondas metálicas y introducers



For men

For Women



25-6750-06
 25-6750-24

	mm Ø	Charriere (French)	
25-6750-06	2	6	25-6751-06
25-6750-07	2 ¹ / ₃	7	25-6751-07
25-6750-08	2 ² / ₃	8	25-6751-08
25-6750-09	3	9	25-6751-09
25-6750-10	3 ¹ / ₃	10	25-6751-10
25-6750-11	3 ² / ₃	11	25-6751-11
25-6750-12	4	12	25-6751-12
25-6750-13	4 ¹ / ₃	13	25-6751-13
25-6750-14	4 ² / ₃	14	25-6751-14
25-6750-15	5	15	25-6751-15
25-6750-16	5 ¹ / ₃	16	25-6751-16
25-6750-17	5 ² / ₃	17	25-6751-17
25-6750-18	6	18	25-6751-18
25-6750-19	6 ¹ / ₃	19	25-6751-19
25-6750-20	6 ² / ₃	20	25-6751-20
25-6750-21	7	21	25-6751-21
25-6750-22	7 ¹ / ₃	22	25-6751-22
25-6750-23	7 ² / ₃	23	25-6751-23
25-6750-24	8	24	25-6751-24



Catheter Introducing Instruments



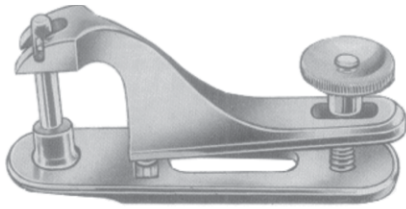
Guyon
 25-6752-39
 39 cm/15¹/₂"



Guyon
 25-6753-35
 35 cm/13³/₄"



Circumcision Instruments



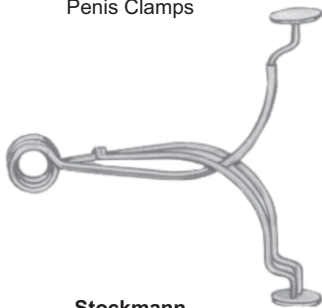
25-6754-08	08 mm
25-6754-11	11 mm
25-6754-13	13 mm
25-6754-16	16 mm
25-6754-21	21 mm
25-6754-26	26 mm
25-6754-32	32 mm

Foreign Body Forceps

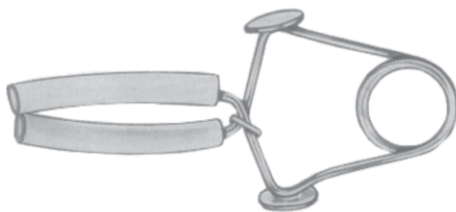


Mathieu
25-6755-20

Penis Clamps



Stockmann
25-6756-00



Strauss
25-6757-00

Secretion Scoop



Guttman
25-6758-26
26.5 cm/10½"